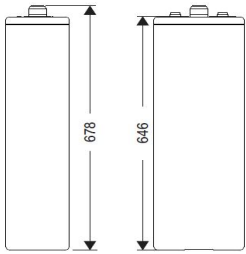
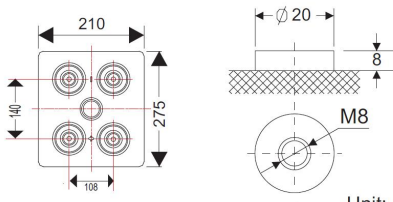


PHYSICAL SPECIFICATION

Nominal Voltage		2V	
Nominal Capacity (10HR)		1200Ah	
Dimension	Length	275±2mm	(10.83 inches)
	Width	210±2mm	(8.26 inches)
	Container Height	646±2mm	(25.43 inches)
	Total Height	678±2mm	(26.69 inches)
Weight		Approx. 92.5 Kg (203.9lbs)	
Standard Terminal		Bolt-and-nuts terminal Bolt Type: M8	

Unit: mm



ELECTRICAL SPECIFICATION

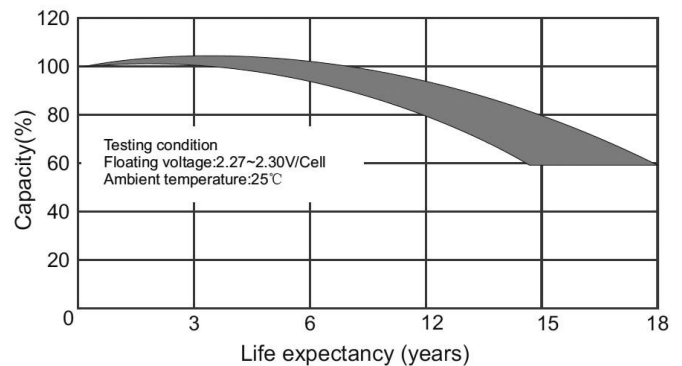
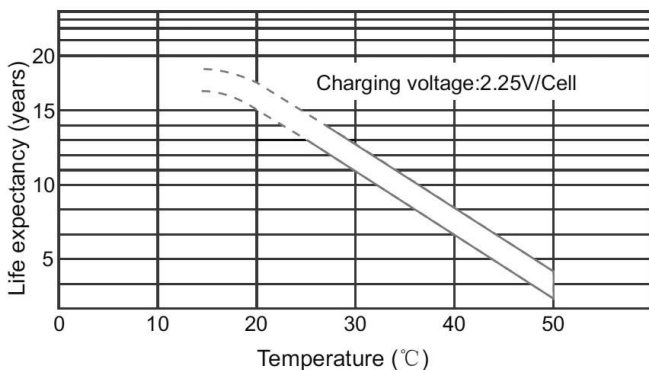
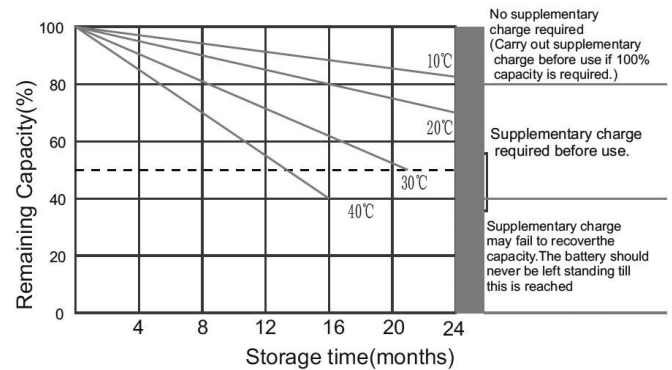
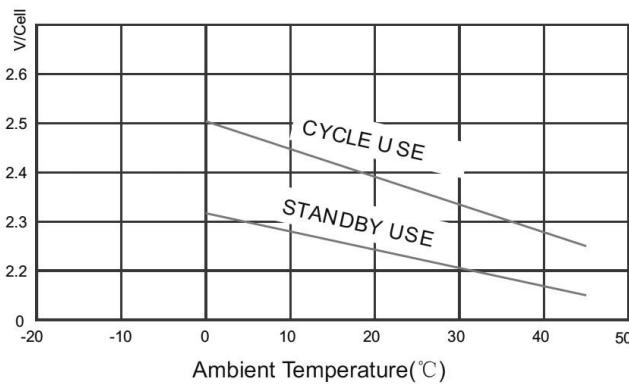
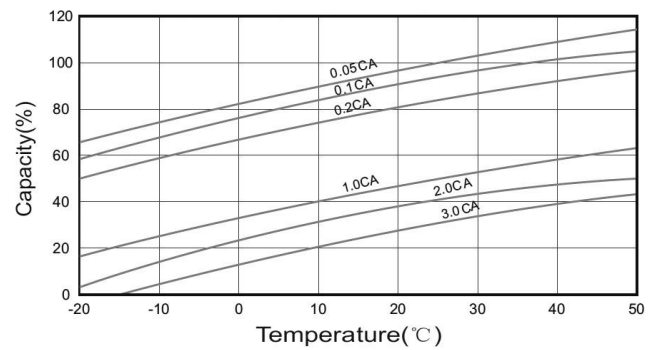
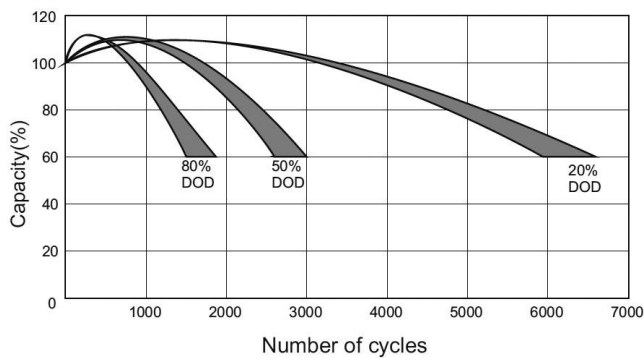
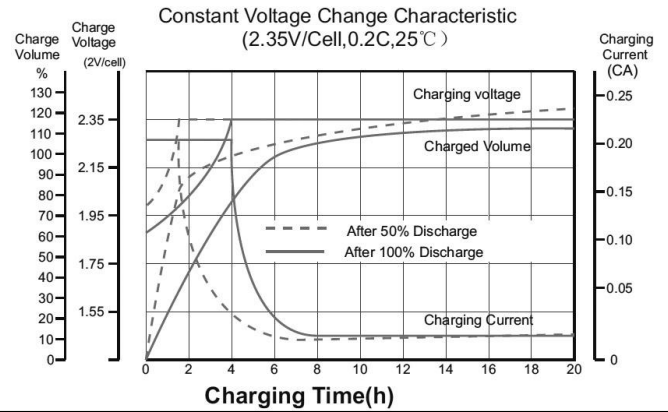
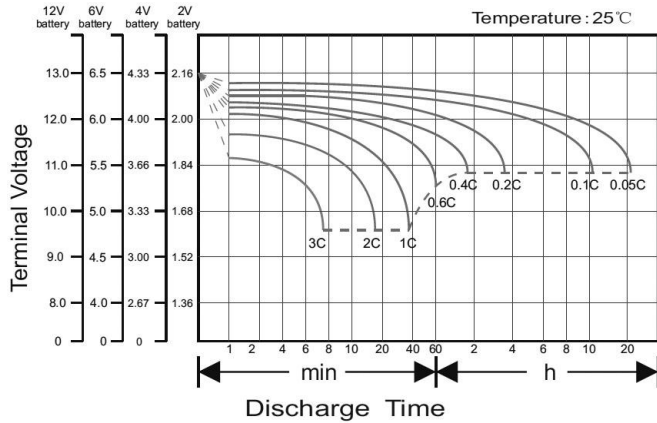
Characteristics			Main Advantages
Capacity	10 hour rate (120.6A to 1.80v/cell) 5 hour rate (213.6A to 1.70v/cell) 3 hour rate (312A to 1.70v/cell) 1hour rate (720A to 1.60v/cell)	1206Ah 1068Ah 936Ah 720Ah	>> adopt tubular plate with GEL technology >> longest lifespan under deep discharge >> Strong temperature resistance performance >> Better charge reception capability >> 20 years design life
Operating Temp. Range	Discharge : -40°C~55°C Charge : -15°C~50°C Storage : -15°C~40°C		
Max. Discharge Current	6000A(5sec)		
Short Circuit Current	10000A		
Designed life	20 years (floating) at 25°C(77 °F)		
Internal Resistance	Full charged battery (25°C, 77 °F) 0.35mΩ		
Constant Voltage Charge	Cycle	Initial Charging Current less than ≤300.0A Voltage: 2.35~2.40V at 25°C (77 °F) Temperature Coefficient -5mV/°C	
	Standby	No limit on Initial Charging Current Voltage: 2.25V at 25°C (77 °F) Temperature Coefficient -3mV/°C	

CONSTANT CURRENT DISCHARGE RATING A@25°C

F.V/TIME	15min	30min	1h	2h	3h	4h	5h	8h	10h
1.60V	1260	990	720	450	324	258	219.0	155.4	127.2
1.65V	1188	942	678	438	318	252	216.6	154.2	126.6
1.70V	1122	900	666	426	312	251	213.6	152.4	126.0
1.75V	1050	852	624	414	306	246	210.0	149.4	124.2
1.80V	978	798	594	402	300	240	205.2	145.8	120.6

CONSTANT POWER DISCHARGE RATING WATT PER CELL@25°C

F.V/TIME	15min	30min	1h	2h	3h	4h	5h	8h	10h
1.60V	2172	1740	1314	840	612	489	415.8	297.0	243.6
1.65V	2076	1650	1236	822	603	479	412.2	295.2	243.0
1.70V	1962	1584	1218	804	594	478	408.0	292.8	242.4
1.75V	1854	1518	1164	786	585	471	402.6	288.0	240.0
1.80V	1752	1458	1116	768	576	461	394.8	281.4	233.4



(Note) All above information shall be changed without prior notice, Shimastu reserves the right to explain and update the latest information.