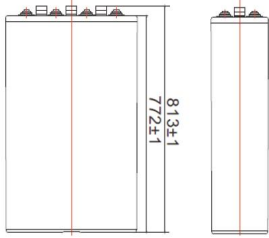
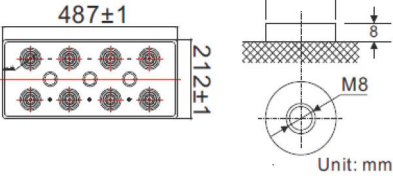


PHYSICAL SPECIFICATION

Nominal Voltage		2V	
Nominal Capacity (10HR)		2500Ah	
Dimension	Length	487±2mm	(19.17 inches)
	Width	212±2mm	(8.35 inches)
	Container Height	772±2mm	(30.4inches)
	Total Height	813±2mm	(32.01 inches)
Weight		Approx. 189 Kg (416.6lbs)	
Standard Terminal		Bolt-and-nuts terminal Bolt Type: M8	



ELECTRICAL SPECIFICATION

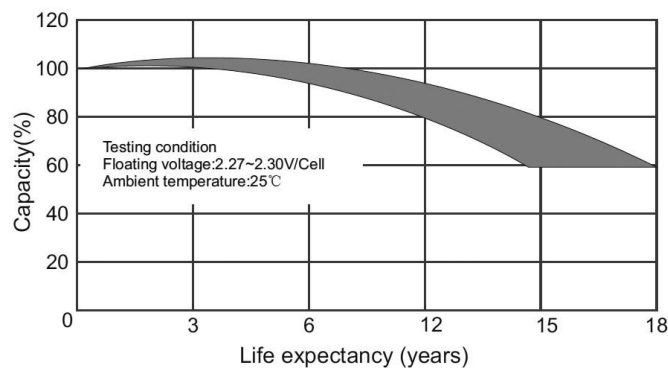
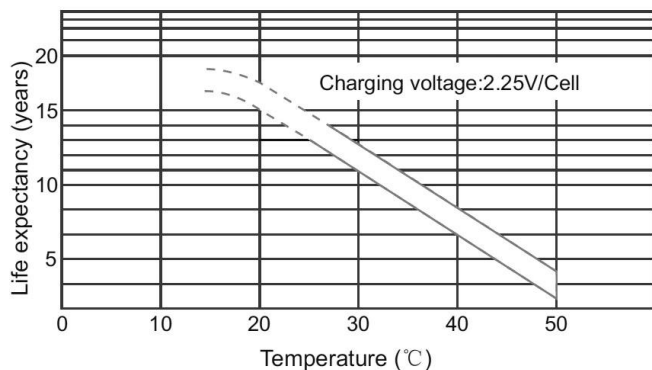
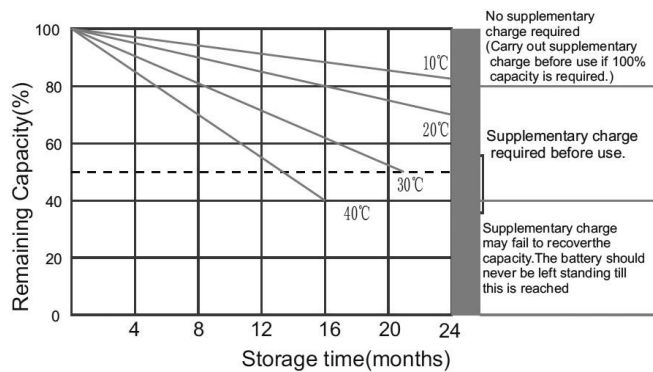
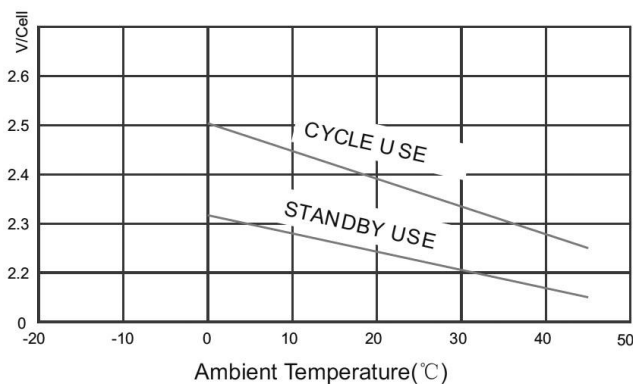
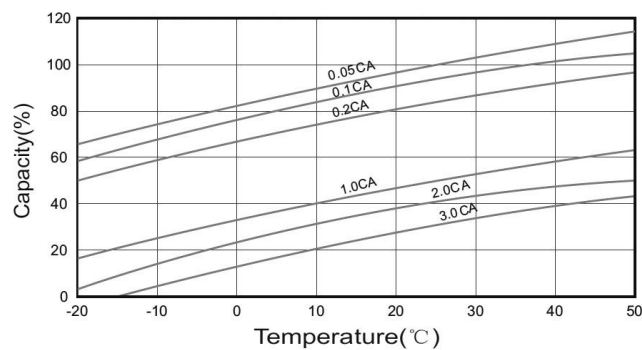
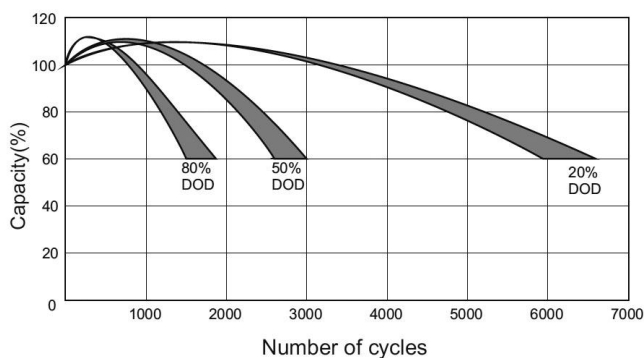
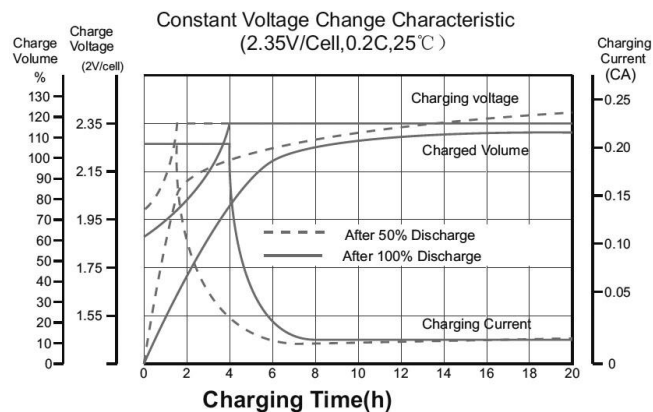
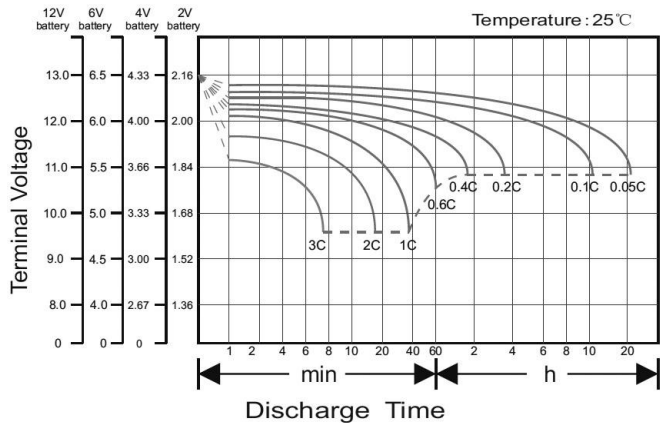
Characteristics			Main Advantages
Capacity	10 hour rate (251.3A to 1.80v/cell) 5 hour rate (445A to 1.70v/cell) 3 hour rate (650A to 1.70v/cell) 1hour rate (1500A to 1.60v/cell)	2513Ah 2225Ah 1950Ah 1500Ah	<ul style="list-style-type: none"> >> adopt tubular plate with GEL technology >> longest lifespan under deep discharge >> Strong temperature resistance performance >> Better charge reception capability >> 20 years design life
Operating Temp. Range	Discharge : -40℃~55℃ Charge : -15℃~50℃ Storage : -15℃~40℃		
Max. Discharge Current	10000A(5sec)		
Short Circuit Current	21000A		
Designed life	20 years (floating) at 25℃(77 °F)		
Internal Resistance	Full charged battery (25℃,77 °F) 0.32mΩ		
Constant Voltage Charge	Cycle	Initial Charging Current less than :≤625A Voltage: 2.35~2.40V at 25℃ (77 °F) Temperature Coefficient -5mV/℃	
	Standby	No limit on Initial Charging Current Voltage: 2.25V at 25℃ (77 °F) Temperature Coefficient -3mV/℃	

CONSTANT CURRENT DISCHARGE RATING A@25℃

F.V/TIME	15min	30min	1h	2h	3h	4h	5h	8h	10h
1.60V	2625	2063	1500	938	675	538	456.3	323.8	265.0
1.65V	2475	1963	1413	913	663	525	451.3	321.3	263.8
1.70V	2338	1875	1388	888	650	523	445.0	317.5	262.5
1.75V	2188	1775	1300	863	638	513	437.5	311.3	258.8
1.80V	2038	1663	1238	838	625	500	427.5	303.8	251.3

CONSTANT POWER DISCHARGE RATING WATT PER CELL@25℃

F.V/TIME	15min	30min	1h	2h	3h	4h	5h	8h	10h
1.60V	4525	3625	2738	1750	1275	1019	866.3	618.8	507.5
1.65V	4325	3438	2575	1713	1256	999	858.8	615.0	506.3
1.70V	4088	3300	2538	1675	1238	996	850.0	610.0	505.0
1.75V	3863	3163	2425	1638	1219	981	838.8	600.0	500.0
1.80V	3650	3038	2325	1600	1200	961	822.5	586.3	486.3



(Note) All above information shall be changed without prior notice, Shimastu reserves the right to explain and update the latest information.